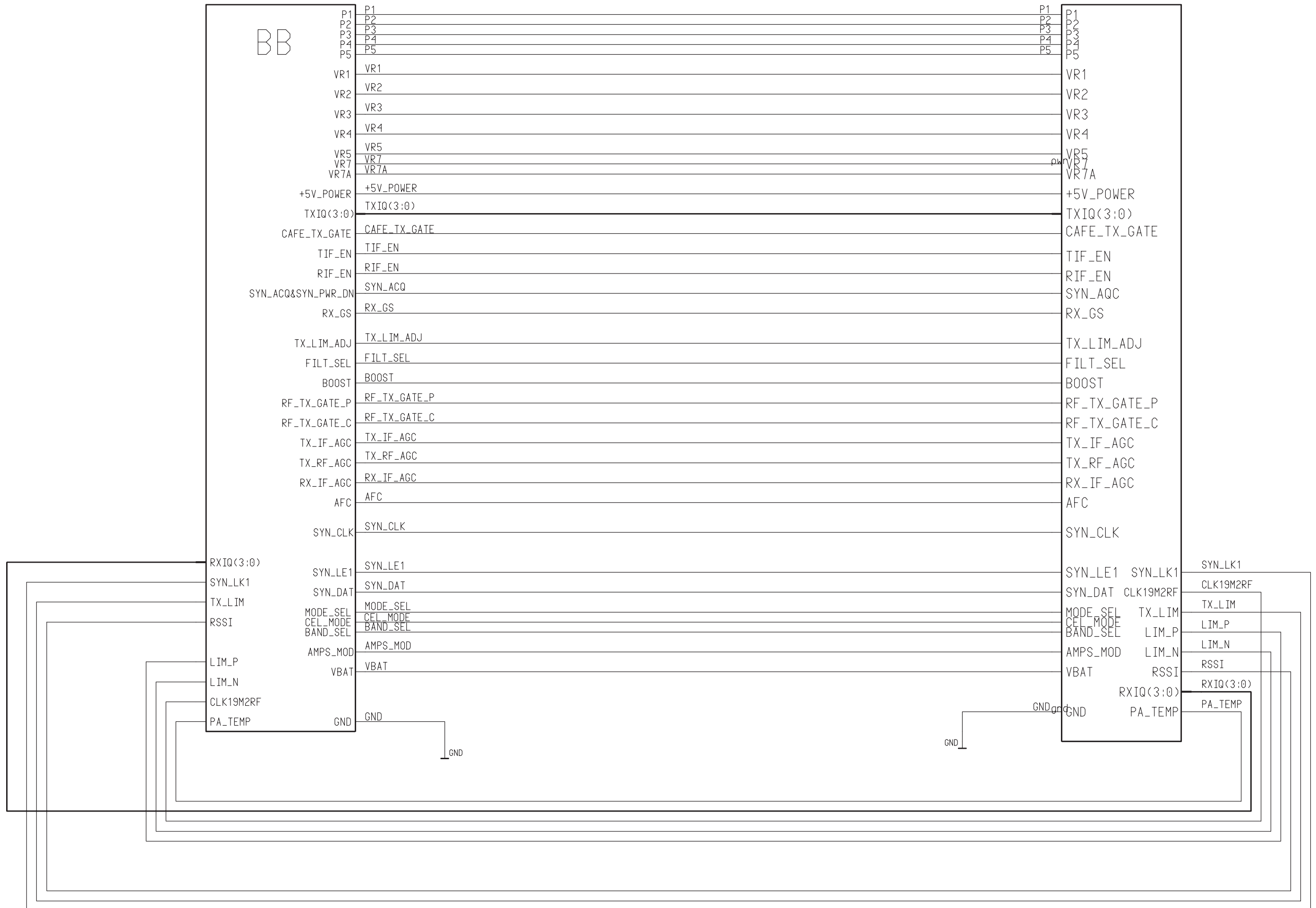
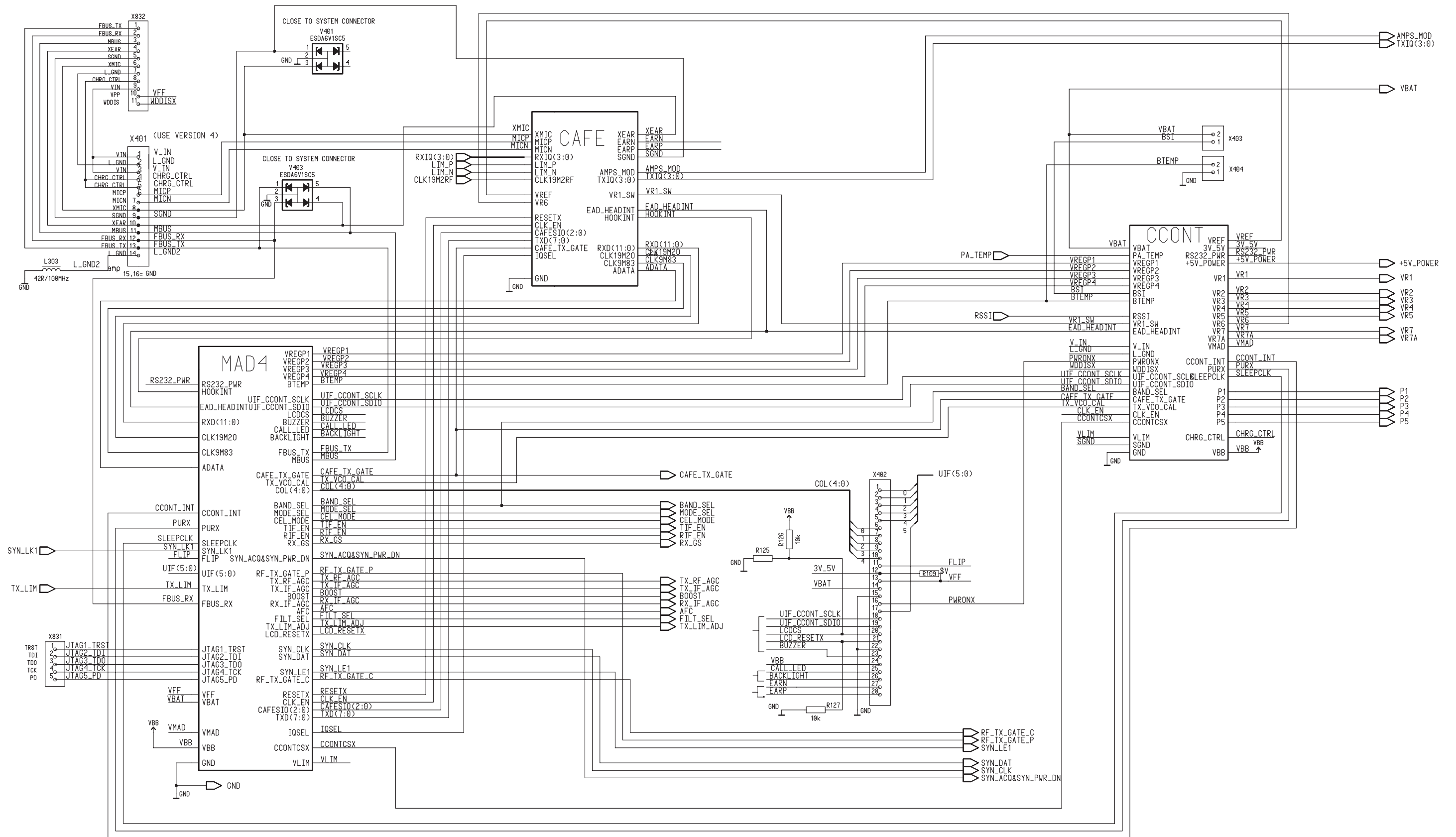


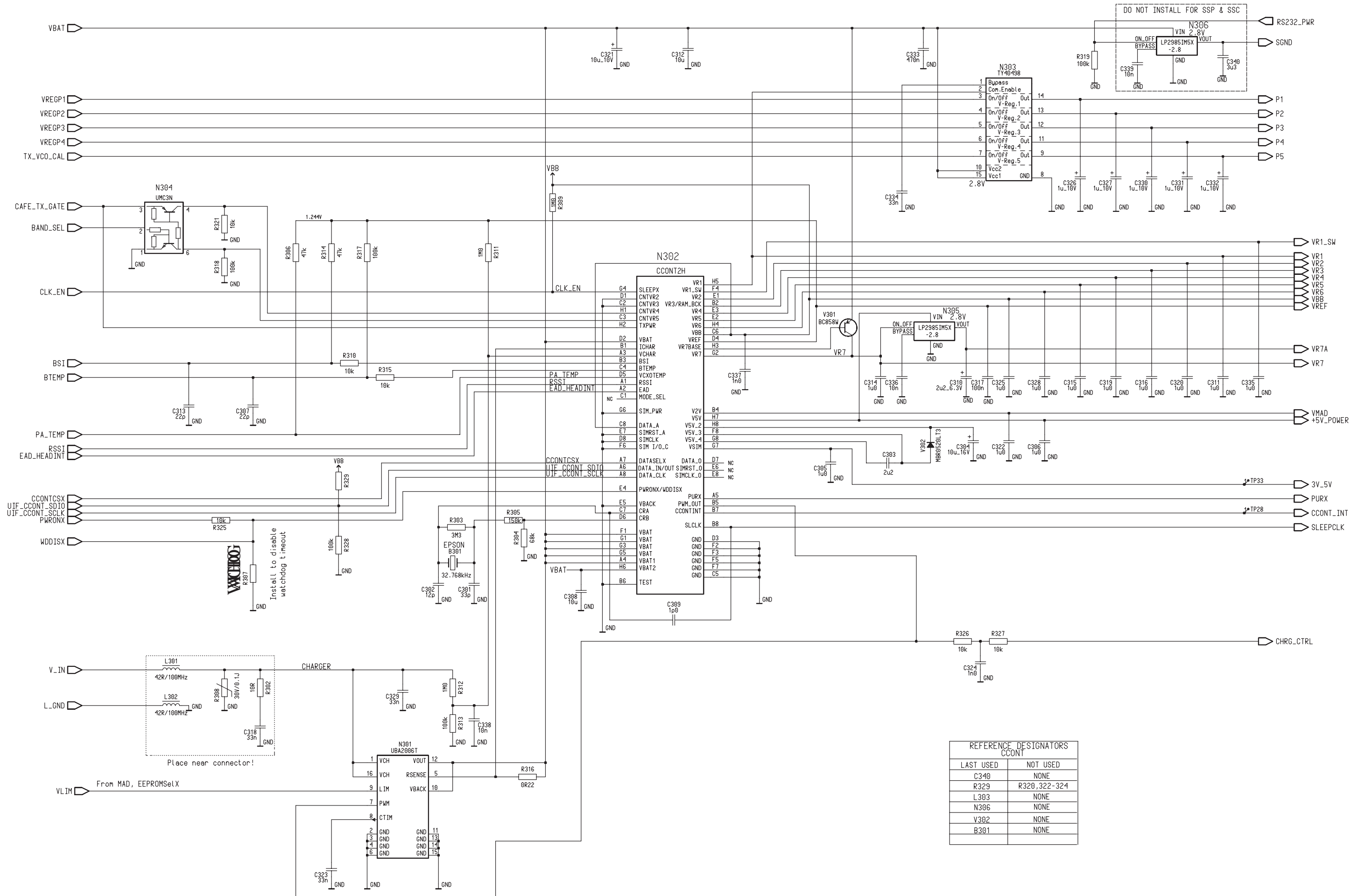
BB-RF interface (Version 20 Edition 3) for layout version 20



Circuit Diagram of BB (Version 20 Edition 3) for layout version 20

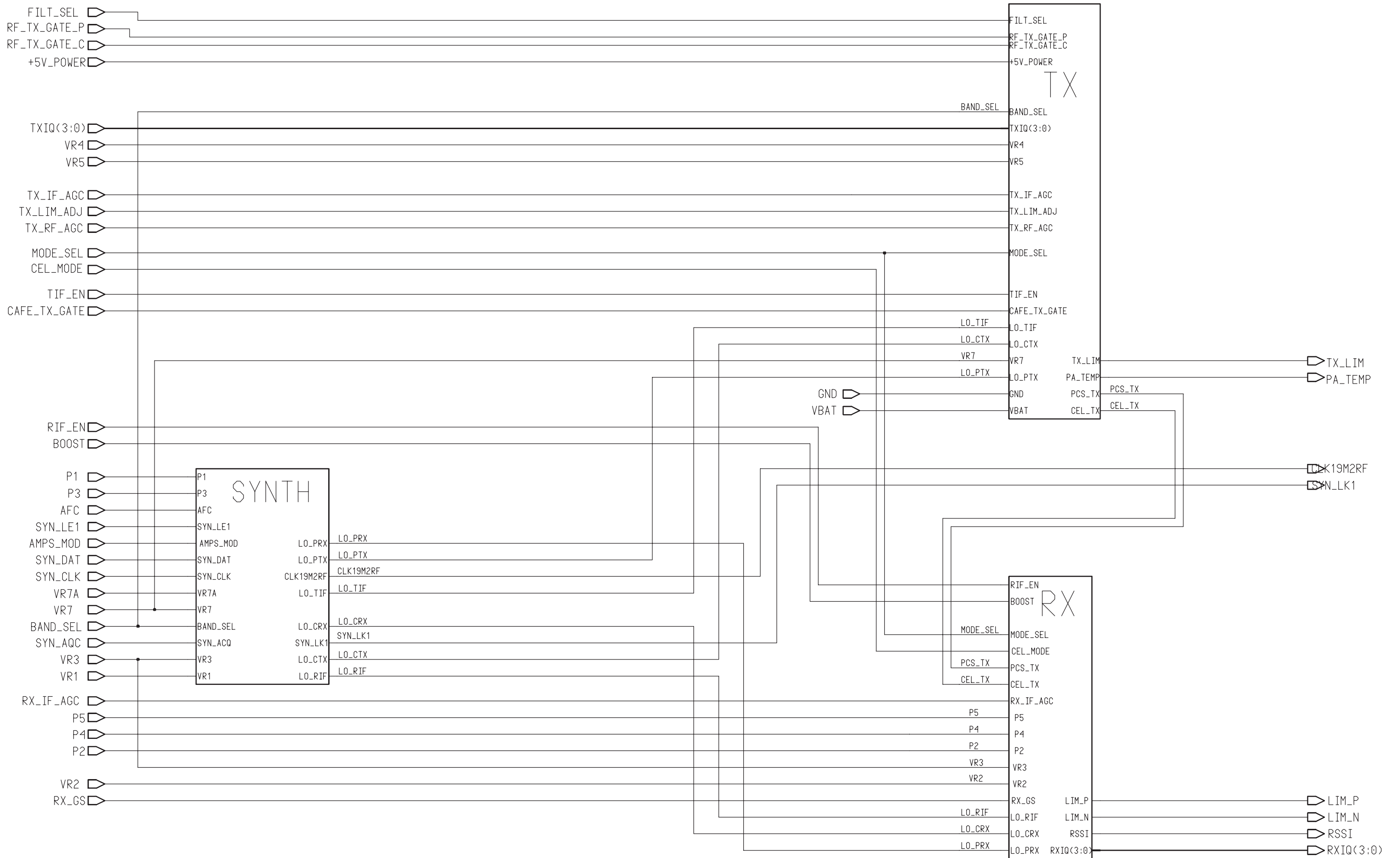


Circuit Diagram of Power Supply (Version 18 Edit 442) for layout version 18

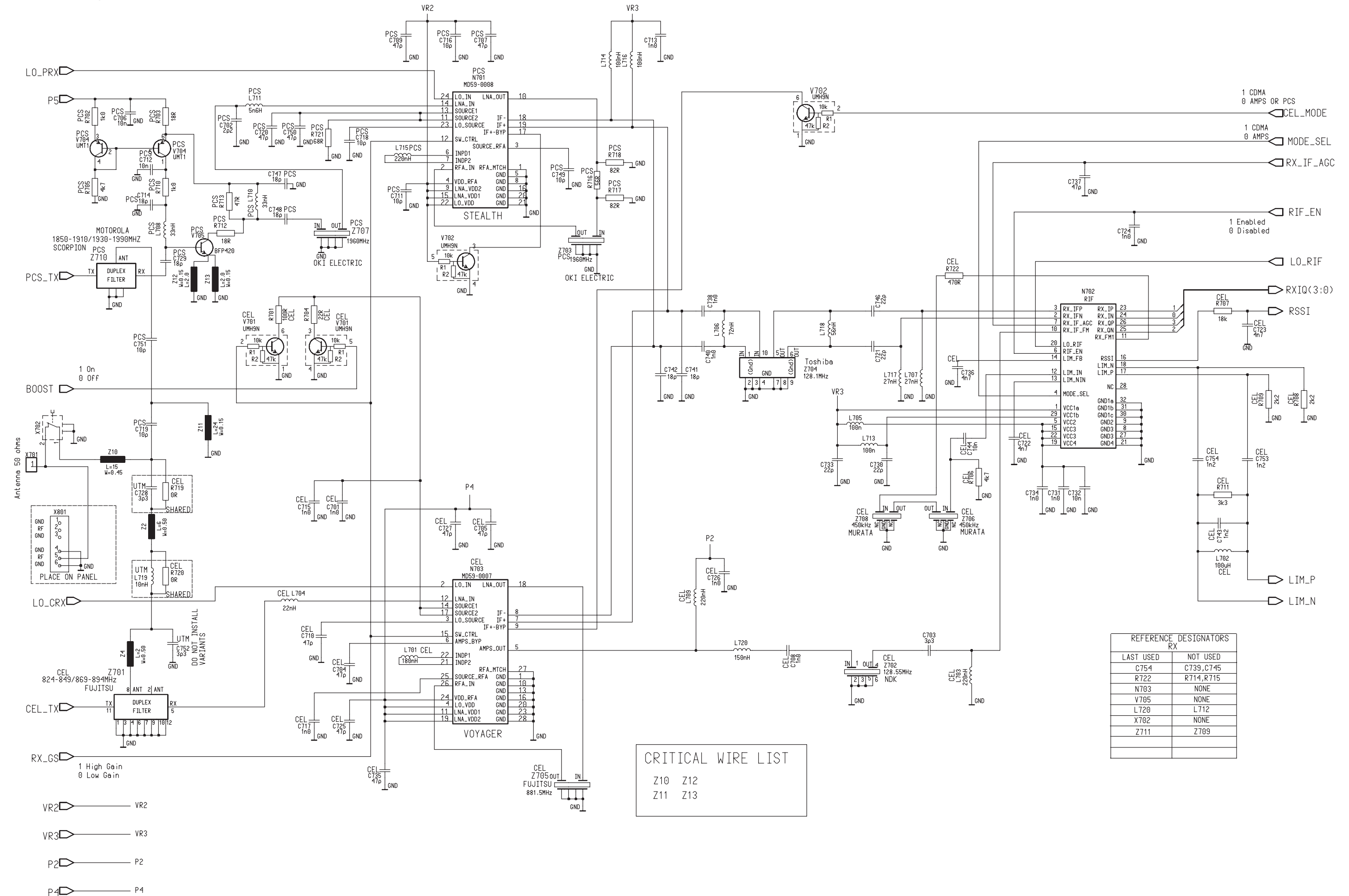


REFERENCE DESIGNATORS CCONT	
LAST USED	NOT USED
C340	NONE
R329	R320,322-324
L303	NONE
N306	NONE
V302	NONE
B301	NONE

Circuit Diagram of RF Block (Version 20 Edition 3) for layout version 20



Circuit Diagram of RX (Version 20 Edition 4) for layout version 20



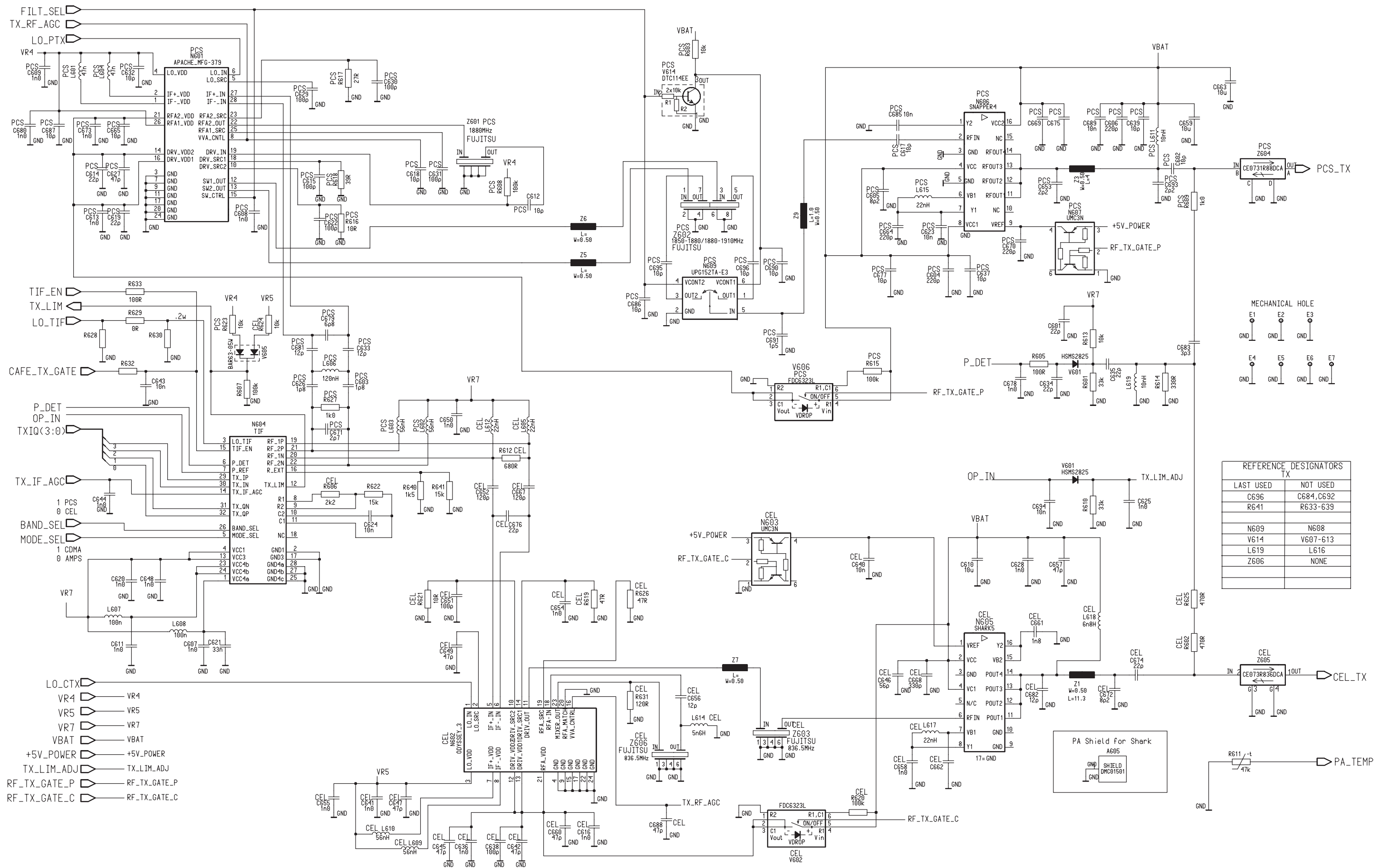
CRITICAL WIRE LIST

Z10	Z12
Z11	Z13

REFERENCE DESIGNATORS

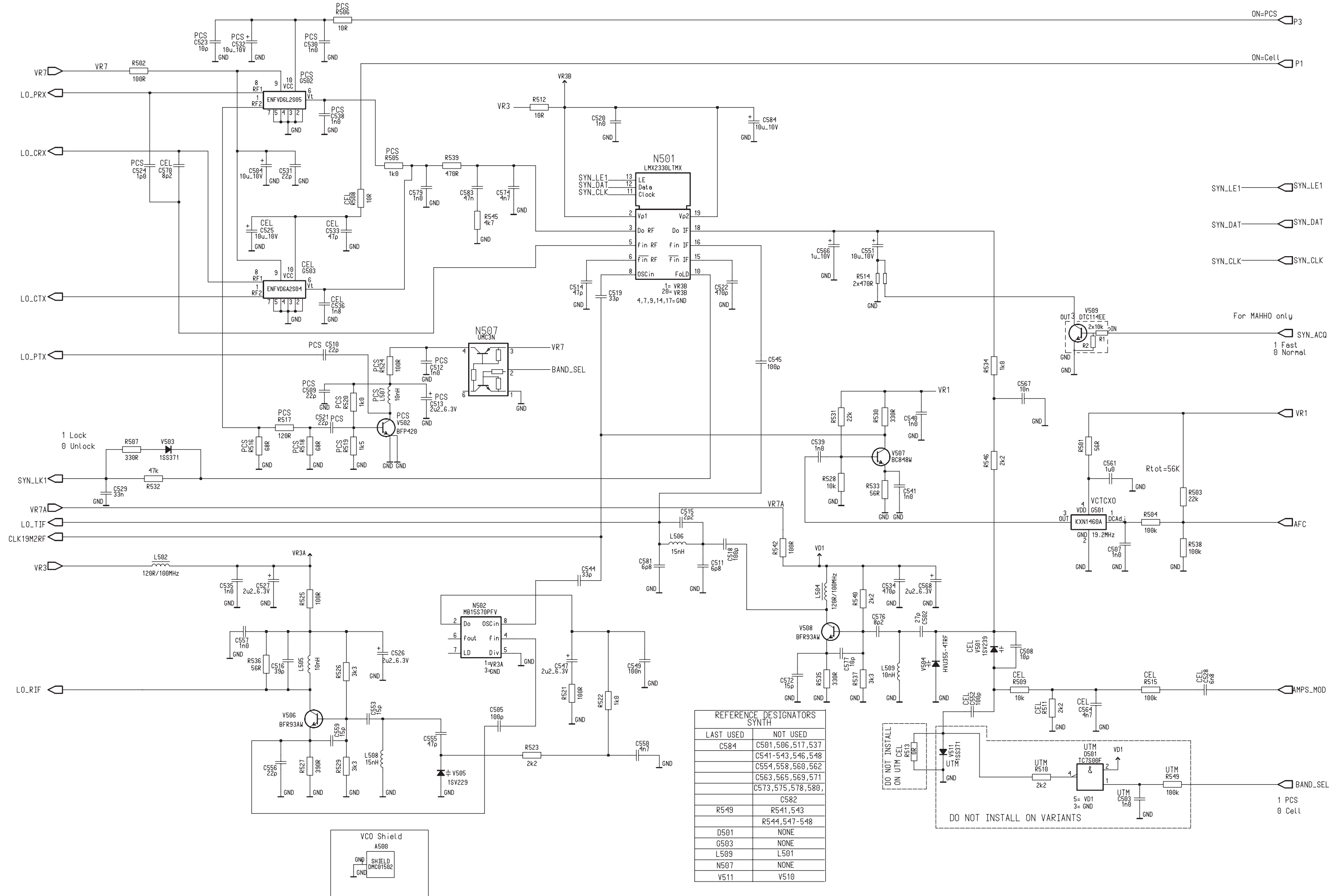
RX	
LAST USED	NOT USED
C754	C739, C745
R722	R714, R715
N703	NONE
V705	NONE
L720	L712
X702	NONE
Z711	Z709

Circuit Diagram of TX (Version 20a Edition 8) for layout version 20



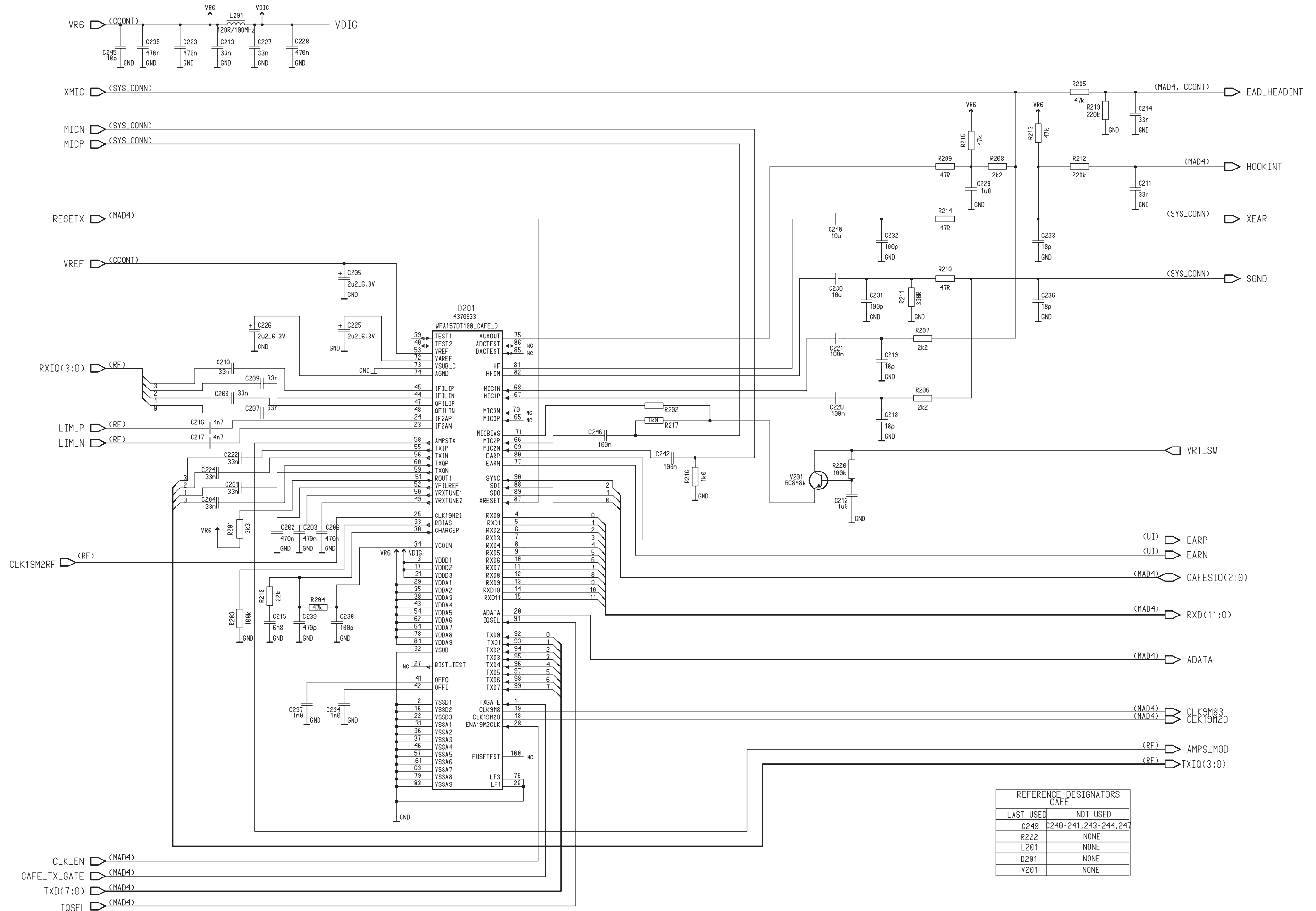
REFERENCE DESIGNATORS	
TX	
LAST USED	NOT USED
C696	C684, C692
R641	R633-639
N609	N608
V614	V607-613
L619	L616
Z606	NONE

Circuit Diagram of Synthesizer (Version 20a Edition 5) for layout version 20



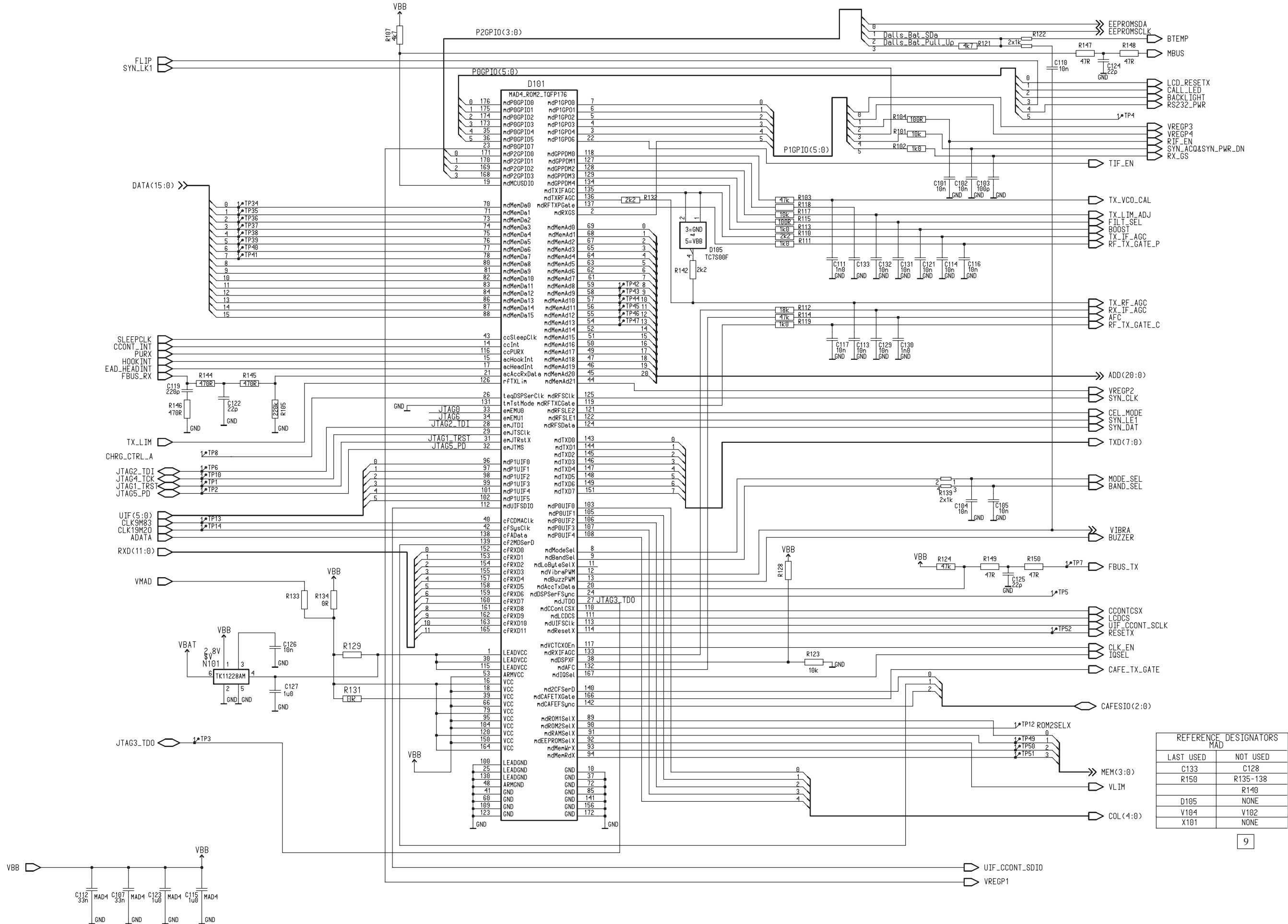
REFERENCE DESIGNATORS SYNTH	
LAST USED	NOT USED
C584	C501, 506, 517, 537
	C541-543, 546, 548
	C554, 558, 560, 562
	C563, 565, 569, 571
	C573, 575, 578, 580,
	C582
R549	R541, 543
	R544, 547-548
D501	NONE
G503	NONE
L509	L501
N507	NONE
V511	V510

Circuit Diagram of Cafe (Version 20 Edition 5) for layout version 20

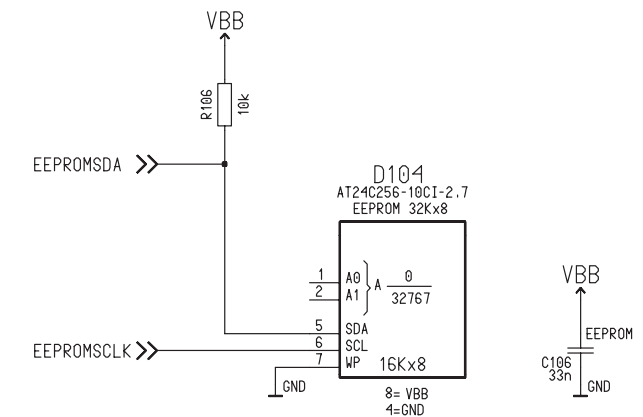
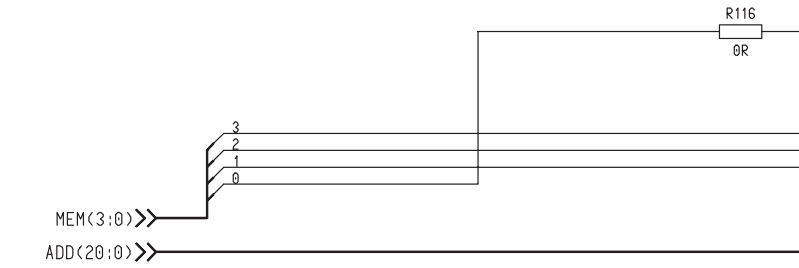
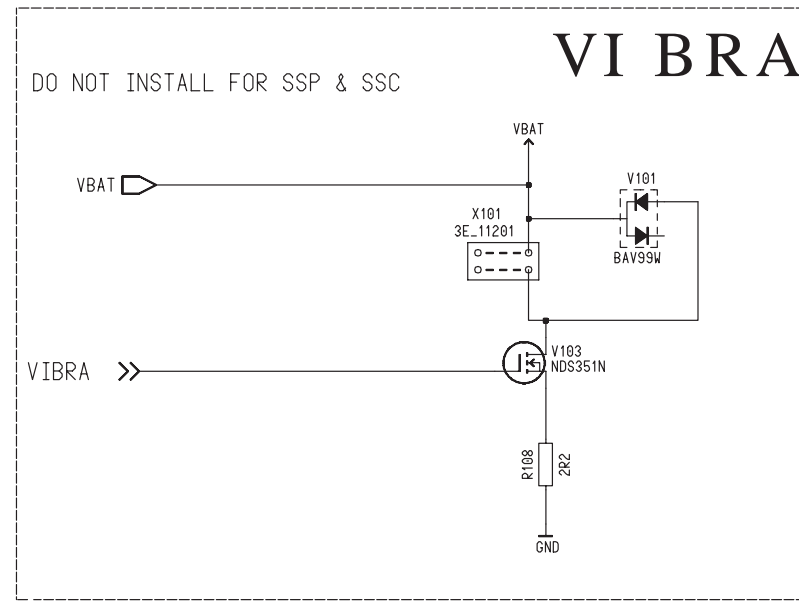
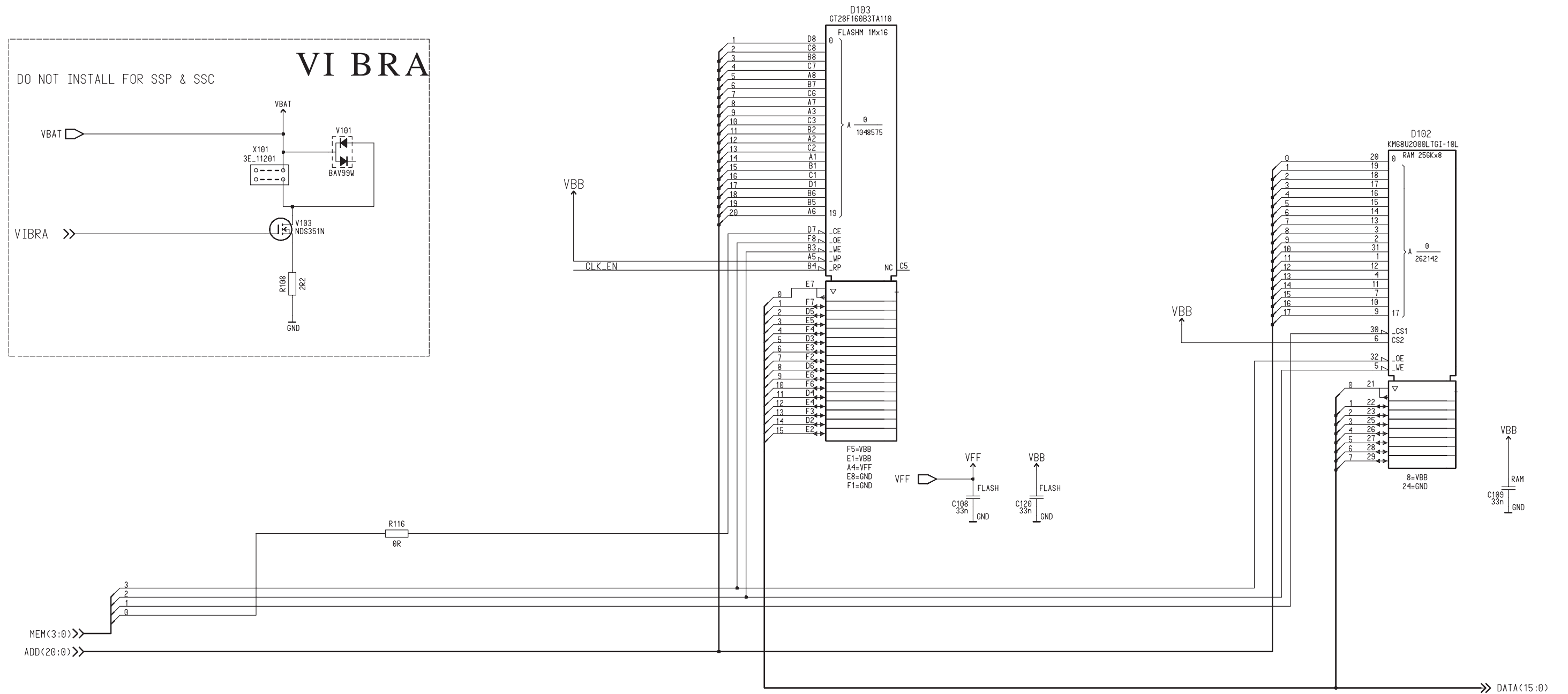


REFERENCE DESIGNATORS CAFE	
LAST USED	NOT USED
C248	C240-241,243-244,247
R222	NONE
L201	NONE
D201	NONE
V201	NONE

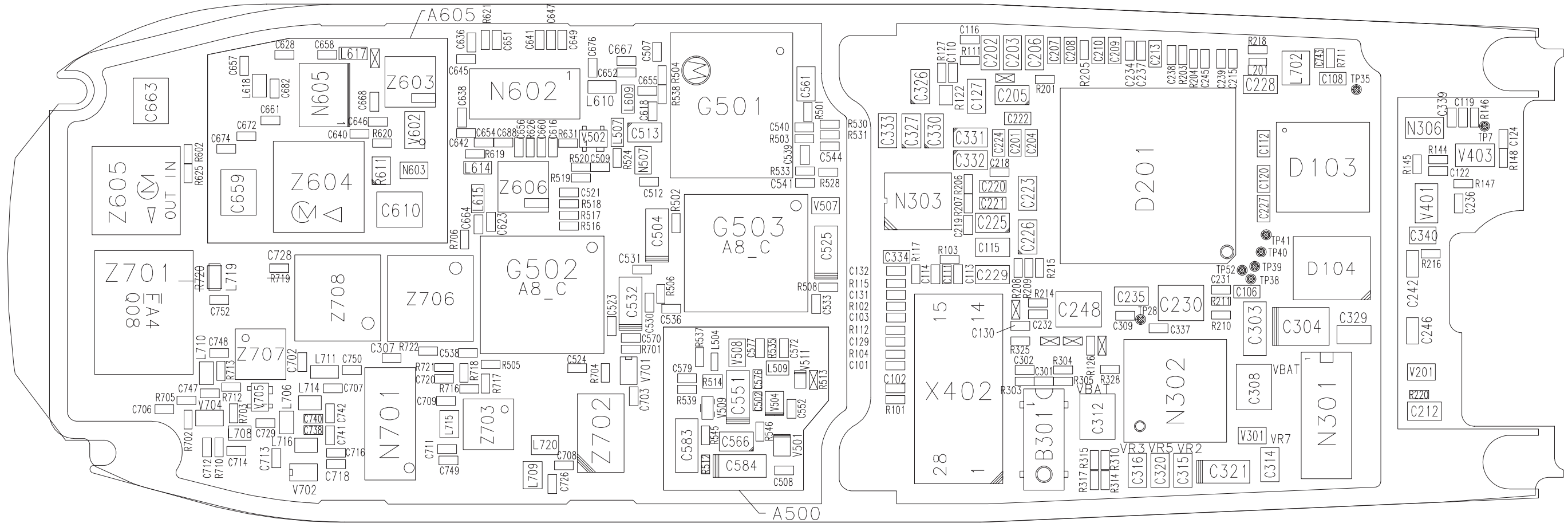
Circuit Diagram of MAD4 (Version 20a Edition 4) for layout version 20



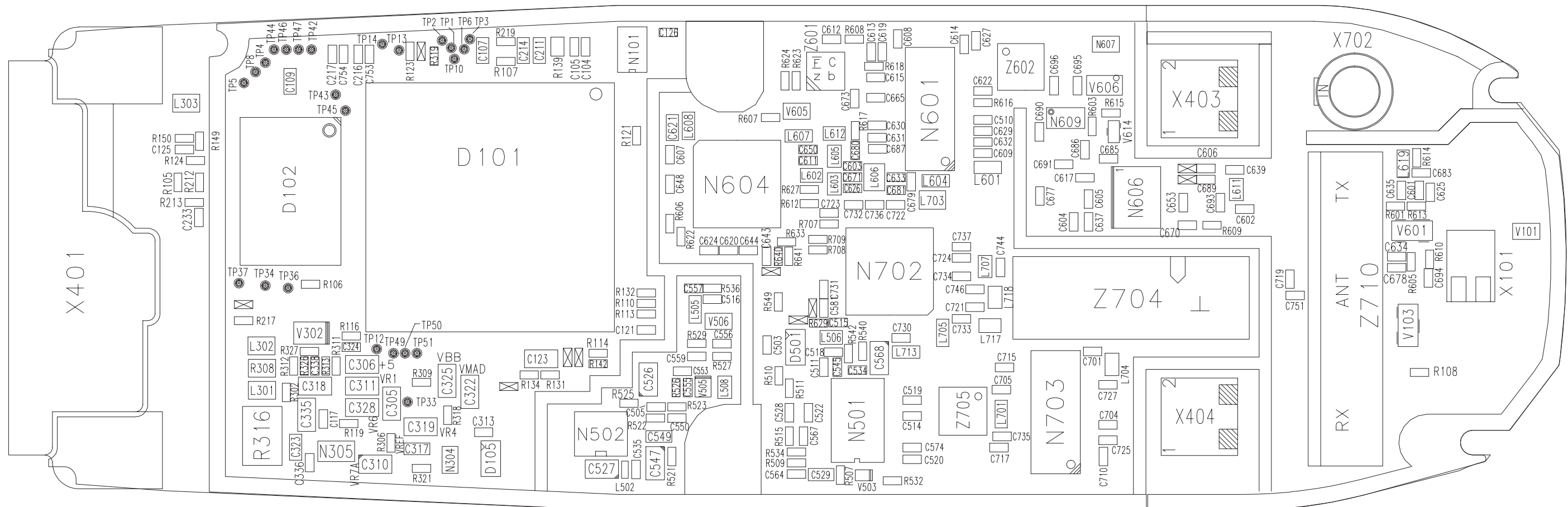
Circuit Diagram of MAD4 External Memories (Version 20a Edition 4) for layout version 20



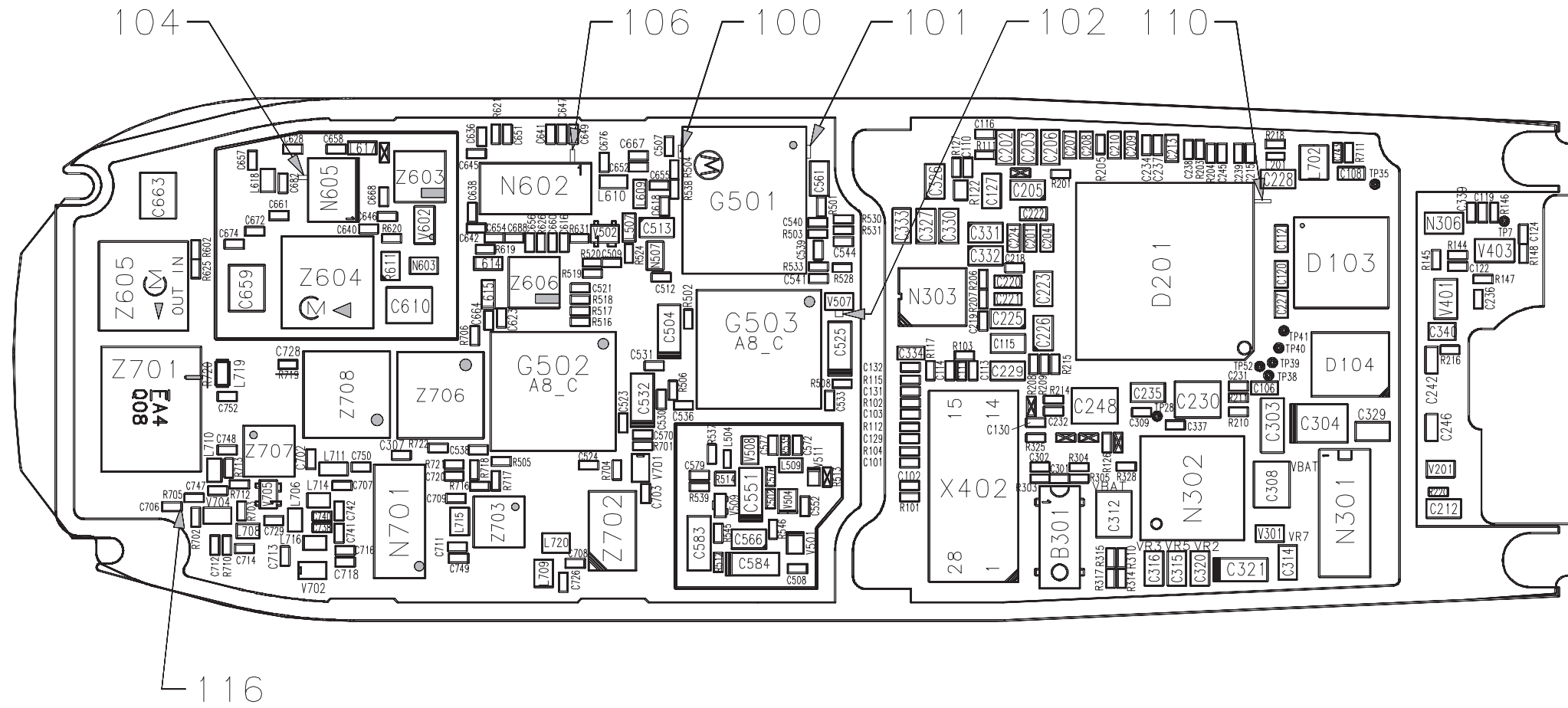
Layout Diagram of UF4D – Top (Version 20)



Layout Diagram of UF4D – Bottom (Version 20)



RF Troubleshooting Test Points for UF4D – Top (Version 20)



RF Troubleshooting Test Points for UF4D – Bottom (Version 20)

